

GEPR Series

Part number and sizing guide

Applications

GEPR protective edging is manufactured from low smoke, low toxicity grade silicone rubber material, making it an ideal product for use in enclosed areas such as Marine, Defence and RMT applications.

The tough but very flexible profile is ideally suited to fit a wide range of applications, offering exceptional reliability in the most demanding of environments, and is approved for use on MOD contracts such as Queen Elizabeth Class Aircraft Carriers and Astute Class Submarines.

Features & Benefits

- Temperature rating -40°C to +200°C
- Hardness Shore 60

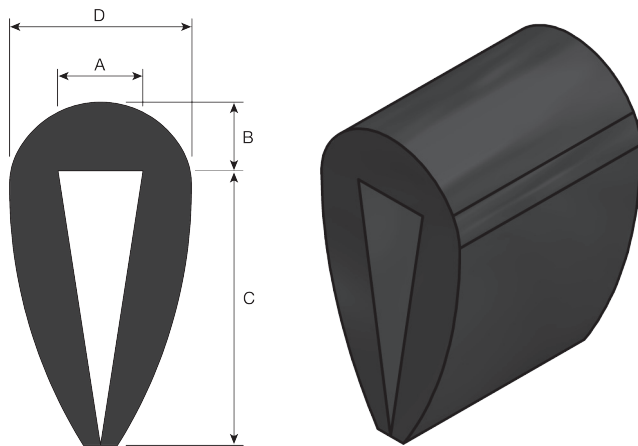
Material Characteristics (BS6853 test method)

- Smoke density 0.0049 m²/g
- Toxic fume emission 0.05 R
- Flammability temp. index 354°C
- Toxicity approval BR1326 Classification



Selection Guide

Product Part Number	Measurements (mm) - nominal				BAE Ref. Number	
	A	B	C	D	ACA	CPC
GEPR-02-25	2.00	3.00	9.00	6.00	-	-
GEPR-03-25	3.00	4.00	13.00	10.66	40073362	15424647
GEPR-05-25	5.00	4.00	16.00	10.66	40073524	15424648
GEPR-10-25	10.00	7.00	24.00	16.00	40073525	-
GEPR-12-25	12.00	10.00	32.00	24.00	40073526	-



Ordering Information

When ordering, the part can be referenced either by the appropriate BAE number, or the IS-Rayfast product code as identified below, standard pack size is 25m.

GEPR-XX-25-Black

For additional information on this product range or other high performance products please contact IS-Rayfast.